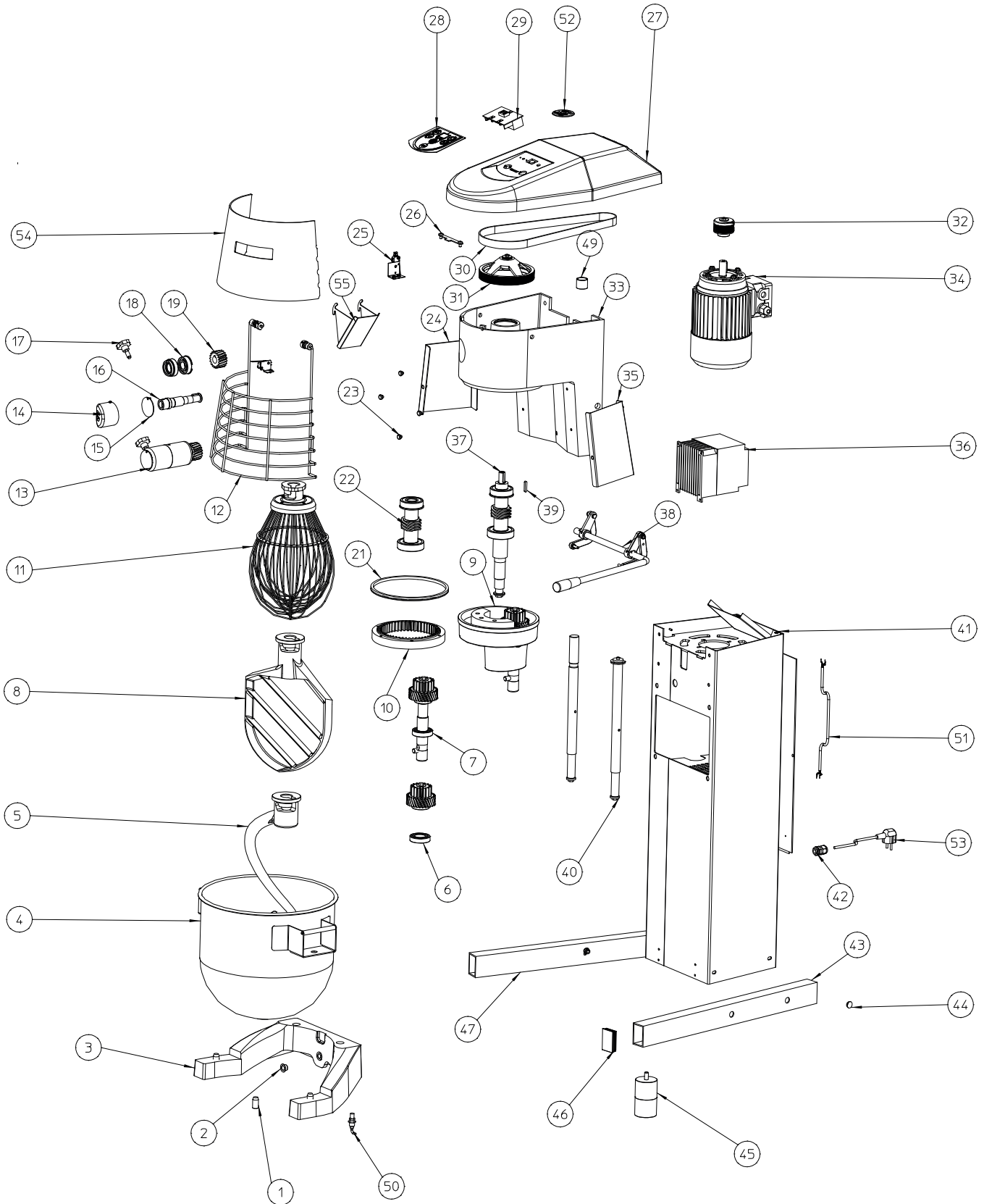


**BATIDORAS-MEZCLADORAS  
BE-30 / BE-30C / BE-30I**
**MIXERS  
BE-30 / BE-30C / BE-30I**
**BATTEURS-MÉLANGEURS  
BE-30 / BE-30C / BE-30I**

N.	Denominación	Description	Dénomination	Cod.
1	Guía caldero BE-40	Bowl guide set BE-40	Guide cuve BE-40	2509477
2	Guía trasera caldero	Guide (bowl, rear)	Guide-arrière cuve	2502795
3	Soporte caldero BE-30	Bowl support set BE-30	Support cuve BE-30	2509560
4a	Caldero 10 lts. BE-30	Stainless steel bowl set 10lt. BE-30	Cuve 10L BE-30	2509559
4b	Caldero BE-30 (>10/2016)	Stainless steel bowl BE-30 (>10/2016)	Cuve BE-30 (>10/2016)	2509564
5a	Gancho amasador BE-30	Kneading tool set BE-30	Outil pétrisseur BE-30	2509562
5b	Gancho amasador BE-30 10L	Kneading tool set 10L BE-30	Outil pétrisseur 10l BE-30	2509577
6	Engranajes planetario BE-30	Planetary gear set BE-30	Embrayage planétaire BE-30	2509569
7	Eje porta-útil BE-30	Tool-holder shaft set BE-30	Axe porte outil BE-30	2509567
8a	Paleta BE-30	Beating tool set BE-30	Outil palette BE-30	2509561
8b	Paleta 10L BE-30	Beating tool set 10 l BE-30	Outil palette 10l BE-30	2509578
9	Planetario BE-30	Planetary set BE-30	Planétaire BE-30	2505013
10	Engrane Z-52 BE-20 R	Gear Z-52 BE-20 R	Couronne Z-52 BE-20 R	2509618
11a	Mezcladora BE-30	Mixing tool set BE-30	Outil fouet BE-30	2509563
11b	Mezcladora 10l. BE-30	Mixing tool set 10L BE-30	Outil fouet 10 l BE-30	2509579
12	Protección caldero BE-30	Bowl protection set BE-30	Protection cuve BE-30	2509573
13	Toma accesorios BE-20 R	Accessory connection BE-20 R	Prise d'accessoires BE-20 R	2509607
14	Tapón cabezal	Head plug set	Bouchon tête	2509447
15	Tapa toma accesorios BE	Attachment drive cover set BE	Bouchon prise accessoires BE	2509459
16	Eje toma accesorios BE-20	Attachment drive shaft set BE-20	Axe prise accessoires BE-20	2509457
17	Fijación toma accesorios BE	Attachment drive fixing set BE	Fixation prise accessoires BE-10	2509436
18	Retén + rodamiento toma accesorios	Attachment drive retainer + bearing set	Roulement-joint prise accessoires	2509458
19	Corona toma accesorios BE-20	Rim set (attachment drive) BE-20	Couronne prise accessoires BE-20	2509456
20	Soporte micro caldero BE-20	Bowl microswitch holder set BE-20	Support / Microrrupteur grille BE-20	2509438
21	Junta V-ring V-200 tipo L	V-ring V-200 L-type	Joint v-ring V-200 TYPE L	2509593
22	Sinfin + rodamientos BE-30	Bearing drive BE-30	Sanfin + roulement BE-30	2509574
23	Tacos de goma	Door limit set SK	Tampons porte SU-600 (4)	2052751
24	Cierre protección izquierda BE-30	Protection lock set l BE-30	Fermeture protection (gauche) BE-30	2509566
25	Soporte micro elevación caldero BE-20	Bowl lifting microswitch holder set BE-20	Support microrrupteur montée cuve BE-20	2509446
26	Fijación tapa BE-20/40	Cover fixing set BE-20/40	Fixation prise accessoires BE-20/40	2509430
27	Tapa mandos BE-20	BE-20 controls cover set	Couvercle commandes BE-20/30	2509451
28	Teclado BE-10/20/30/40	Keyboard BE-10/20/30/40	Clavier BE-10/20/30/40	2509505
29a	Placa mandos BE	Print keyboard set (BE)	Plaque électronique clavier	2509450
29b	Placa mandos BE 380-440V	Print keyboard set BE 380-440V	Tableau de commande BE 380-440V	2509545
29c	Placa mandos BE 120V	Print keyboard set BE 120V	Tableau de commande BE 120V	2509546
30	Correa Poly-V J-9 965	Belt Poly-V J-9 965	Courroie Poly-V J-9 965	2509622
31	Polea receptora BE-30	Driven pulley BE-30	Poulie receptrice BE-30	2509572
32	Polea motriz BE-30	Pulley set BE-30	Poulie motrice BE-30	2509571
33	Cabezal BE-20 (conj.)	Head set BE-20	Tête BE-20 (Ens.)	2504664
34	Motor BE-30 230-400V	Motor set BE-30 230-400V	Moteur BE-30 230-400V	2509575
35	Cierre protección derecha BE-30	Protection lock set D BE-30	Fermeture protection (droit) BE-30	2509565
36a	Variador BE-20 380-440V	Variator set BE-20 380-440V	Variateur BE-20 380-440V	2509512
36b	Variador BE-30 230V	Variator set BE-30 230V	Variateur BE-30 230V	2509590
37	Eje principal BE-30	Main axis set BE-30	Axe principal BE-30	2509568
38	Palanca elevación caldero BE-20	Lever set bowl lifting BE-20	Levier montée cuve BE-20	2509439
39	Chaveta recta 5-5-30 D6885A	Straight pin 5-5-30 D6885A	Clavette droite 5-5-30 D6885A	2509623
40	Guía elevación caldero BE-30	Guides set bowl lifting BE-30	Guides relèvement cuve BE-30	2509570
41a	Chasis BE-20/30 R	Chassis BE-20/30 R	Châssis BE-20/30 R	2509631
41b	Chasis BE-20/30 INOX R	Chassis BE-20/30 INOX R	Châssis BE-20/30 INOX R	2509632
42	Prensaestopas PG-11	Stuffing box PG-11	Presse-étoupes PG-11	2509442
43	Pata derecha BE-20	Foot set (right hand) BE-20	Pied droit BE-20	2509453
44	Tapón Ø15	Plug set Ø15	Bouchon Ø15	2509449
45	Pata batidora BE-20/30/40	Foot set BE-20/30/40	Ens. pied BE-20/30/40	2009129
46	Tapón tubo 60X40	Tube plug set 60X40	Bouchon tube 60X40	2509448
47	Pata izquierda BE-20	Foot set (left hand) BE-20	Pied gauche BE-20	2509454
48	Tapa trasera BE-20 R	Back cover BE-20 R	Couvercle arriere BE-20 R	2509619
49	Casquillo sint. A-25-30-25	Sint. Washer A-25-30-25	Bague sintétique A-25-30-25	2509620
50a	Detector magnetico D10P	Detector magnetic set D10P	Détecteur magnétique D10P	2509555
50b	Protector sensor >02/19 BE-30	Magnetic sensor shield >02/19 BE-30	Protecteur magnetique >02/19 BE-30	2509638
51	Cableado BE-20/BE-40 R	Electric wiring BE-20/BE-40 R	Câblage BE-20/BE-40 R	2509610
52	Adhesivo Sammic Ø60 plata	Sammic Adhesive Ø60 silver	Adhésif Sammic Ø60 ARGENT	2509599
53a	Cable manguera 3X1.5 (EU)	Hose wire 3X1.5 (EU)	Câble gaine 3X1.5 (EU)	2009654
53b	Cable manguera 3X1.5 UK	Hose wire set 3X1.5 UK	Câble gaine 3X1.5 UK	2009659
53c	Cable manguera 3X14AWG 6-20P CL	Hose wire 3X14AWG 6-20P CL	Câble gaine 3X14AWG 6-20P CL	2509549
54	Visor armazón BE-30	Frame viewer BE-30	Ecran portecteur grille BE-30	2509597
55	Cargador exterior BE-20/30/40	External loader BE-20/30/40	Chargeur extérieur BE-20/30/40	2509612



Nota: Todas estas especificaciones están sujetas a cambio sin previo aviso, debido a la permanente mejora del producto.  
 Note: These specifications are subject to change without prior notice due to continuous product improvement.  
 Note: Toutes ces spécifications peuvent être modifiées sans préavis dû à une permanente amélioration du produit.